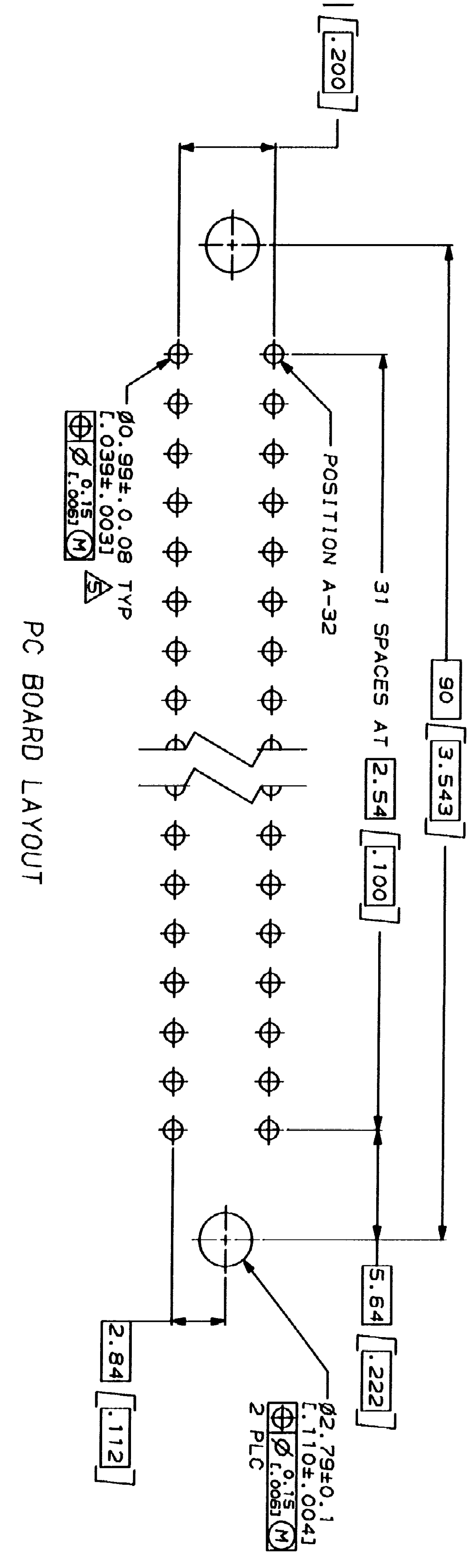
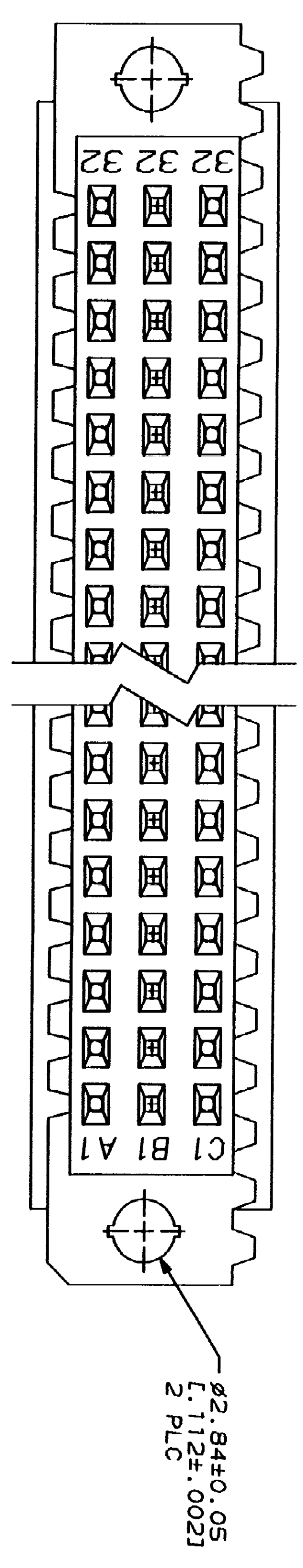
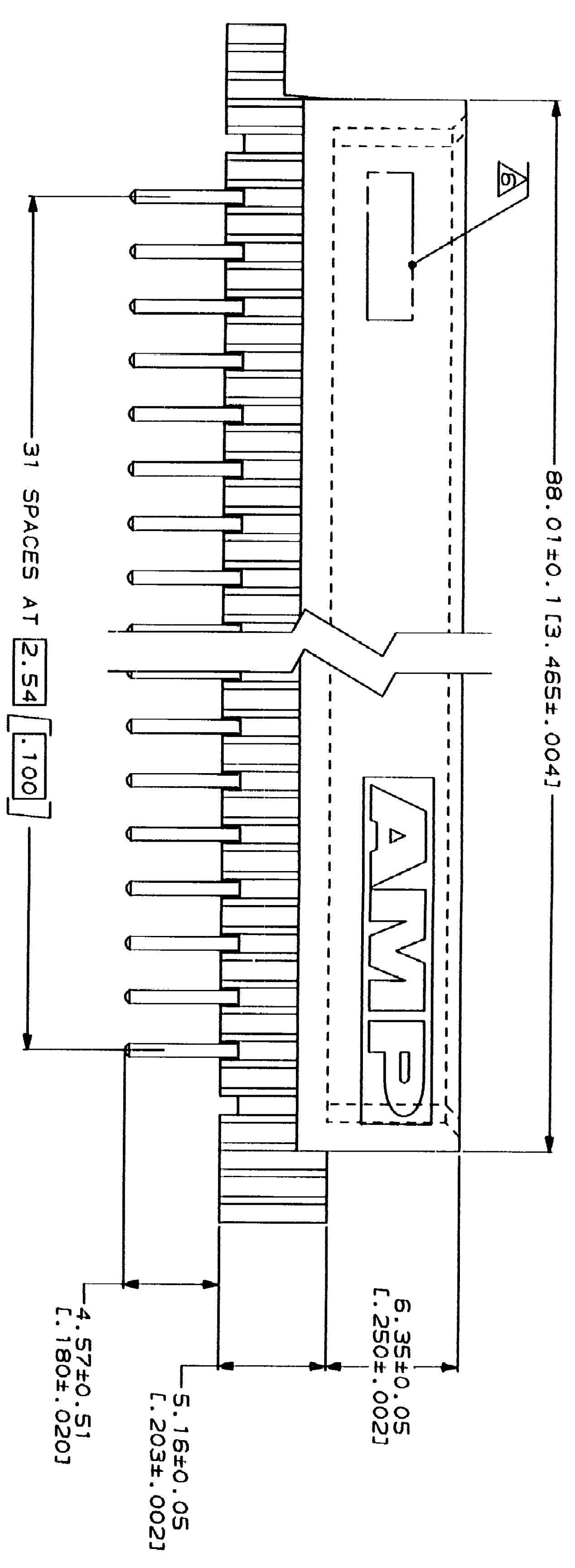
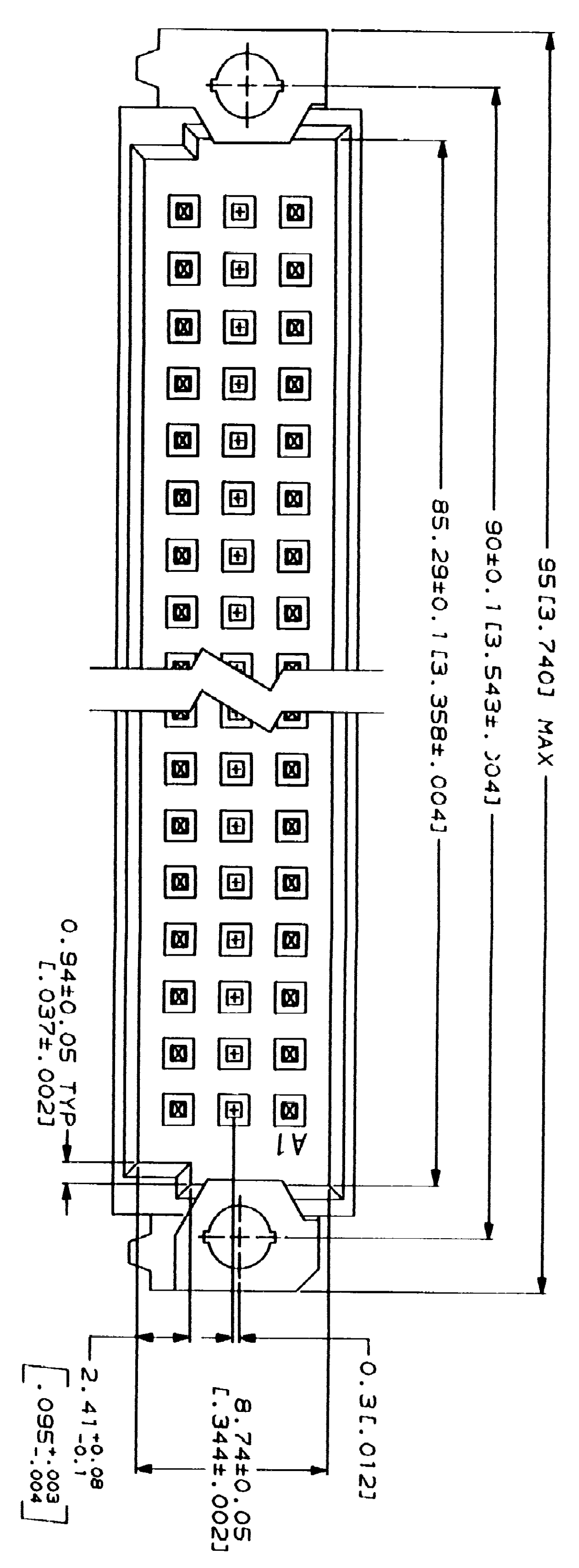
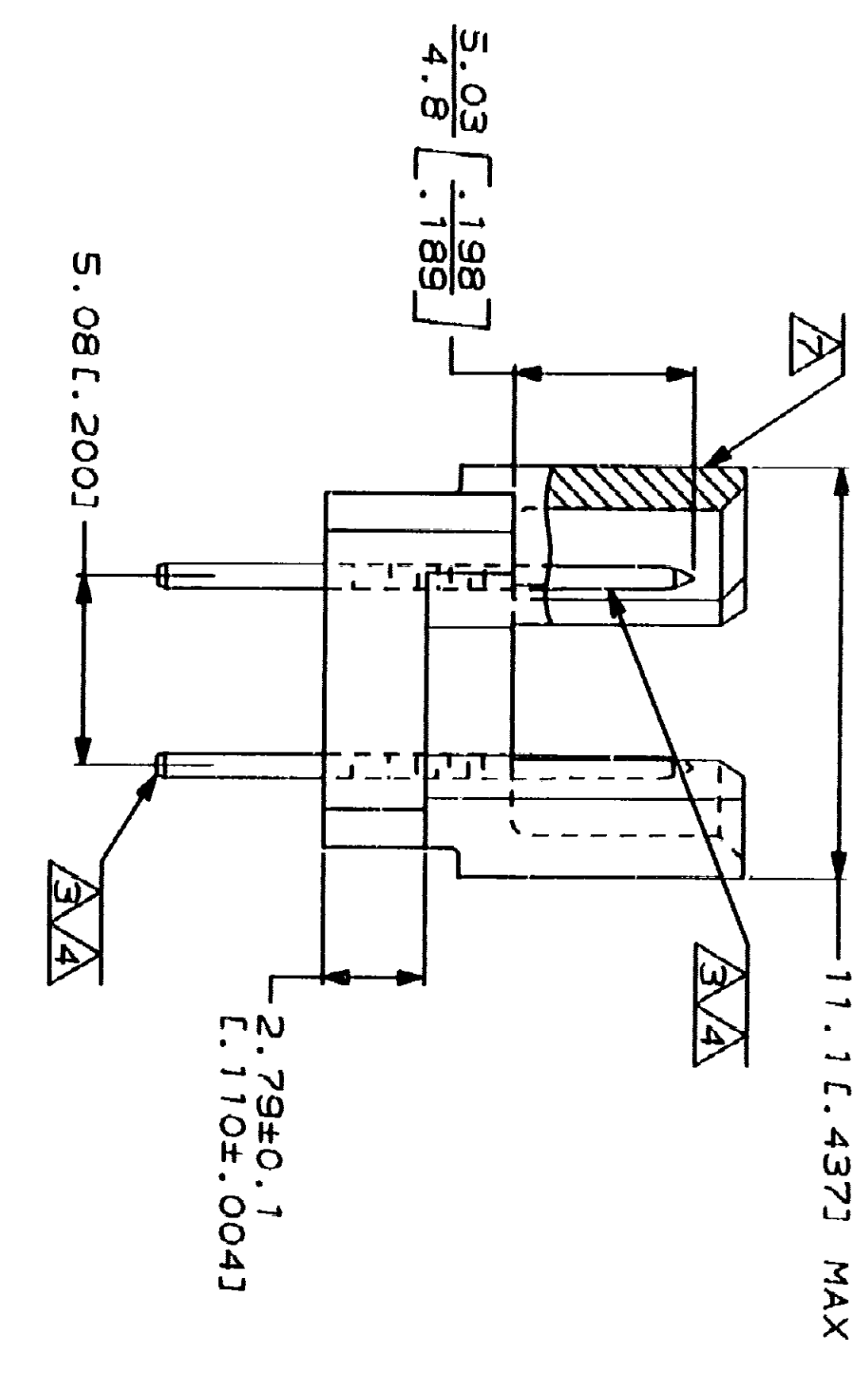


DATE	APPD	REV	DESCRIPTION
11/14/91	LSB	0	DRAWN
12/26/91	LSB	B	ECN A055861 A05640
6/2/92	LSB	C	ECN A05876
11/04/93	LSB	D	ECN A05871
9/26/94	LSB	E	ECN A06256
		F	EC 0010-1559-93
		G	EC 0010-0438-94



- △ HOUSING MATERIAL: GLASS-FILLED POLYESTER. COLOR: GRAY
- △ POST MATERIAL: BRASS.
- △ POST FINISH: DIN 41612 CLASS 3 IN CONTACT AREA.
- △ TIN-LEAD PLATE ON POSTS.
- △ POST FINISH: DIN 41612 CLASS 2 IN CONTACT AREA.
- △ TIN-LEAD PLATE ON POSTS.
- △ RECOMMENDED HOLE SIZE FOR MANUAL APPLICATION OF CONNECTOR ONTO PC BOARD.
- △ [PART NUMBER] [DATE CODE] MARKED THIS APPROXIMATE AREA.
- △ MARKING ON THIS SIDE.



SUPERSEDED BY 550934-5

NOTES	POSITIONS LOADED	ROWS LOADED	NO. OF LOADED POSITIONS	ASSY
	1-32	X -	X	64
	1-32	X -	X	64

DR	DATE	NAME
L. BRINER	3/18/91	
CHEK D.C. RUBENDALL	3/26/91	
APPRO D.C. RUBENDALL	3/26/91	
APPRO K.R. PARKER	3/26/91	

FINISH	APPLICATION SPEC	SIZE	CAGE CODE	DRAWING NO
POST: △△-		D	00779	6501